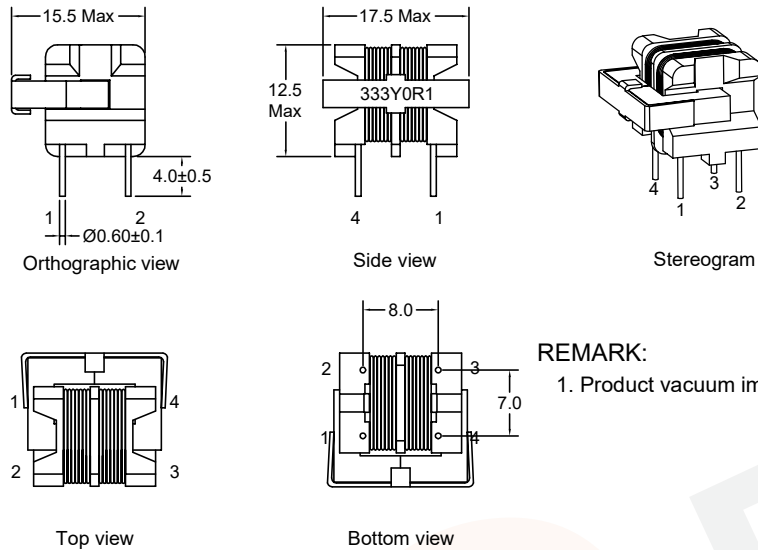


P/N: FAPL09H-333Y0R1



Outline Dimensions (Unit:mm)

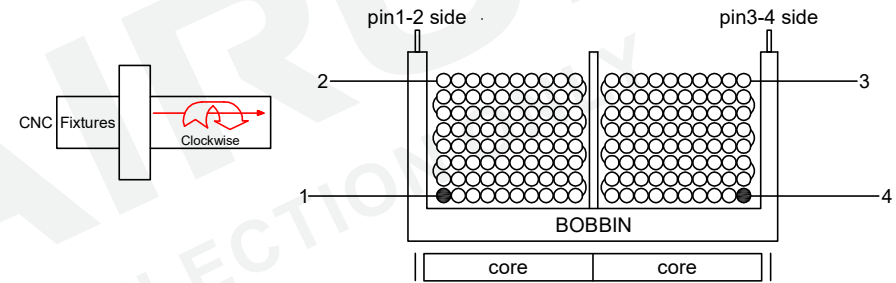


REMARK:
1. Product vacuum impregnation.

Electronical Schematic



Winding Construction:



Electrical Characteristics

Inductance : L1-2=4-3= 33.0mH Min,at 10KHz,0.1V.
 Rated current : 100mA.
 D.C.Resistance : 1-2= 5.50 ohms Max.
 4-3= 5.50 ohms Max.
 Turns Ratio : Wdg1:Wdg2=1:1±1%,at 20KHz,1V.
 Hipot : Coil-Coil : 1500VAC/3mA/2S.

List of UL Certificate:

| No. | Part Name | Mat'l Description | Supplier | UL Number |
|-----|-------------|-------------------|--|-----------|
| 1 | Bobbin | UU-0901/T375J | Chang Chun Plastics Co Ltd | E59481 |
| | | | | |
| 2 | Copper wire | 2UEW-F/155C | Dong Guan YiDa Industrial Co Ltd | E344055 |
| | | 2UEW-F/155C | Elektrisola Hangzhou Co Ltd | E258243 |
| 3 | Core | UU9.8 TS10 | TDG Holding Co Ltd | N/A |
| | | UU9.8 GH10 | Su Zhou Guanda Magnet Co Ltd | N/A |
| 4 | Clip | UU9.8/SUS301 | Chuangshun Hardware Electronic Factory | N/A |
| 5 | Varnish | T-4260(a)/MW80-C | SuZhou TaiHu Electric Advanced Material Co Ltd | E228349 |

| | | | | | | | | | | | | | |
|-----|-------------|------|------|---|--|---|--|---|--|---|--|---|--|
| | | | | Tianchang Fuan Electronic Co Ltd www.fuantronics.net TEL: +86-550-7814888 FAX: +86-550-7831133 | | Tolerances unless otherwise specified: (X)±0.50 (XX)±0.25 Unit of measurement: mm | | Make: Qiumei.Liu Checked: Beson. zhan Approved: Anson. zhan | | DRAWING TITLE UU9.8 COMMON-CODE FILTER INDUCTOR Material Number: A24PL098S130 | | Customer P/N: Document/Rev: 00 Specification Sheet: 1 of 2 Date of Recognition: Jan./02/2020 | |
| REV | DESCRIPTION | APPD | DATE | | | | | | | | | | |

P/N: FAPL09H-333Y0R1



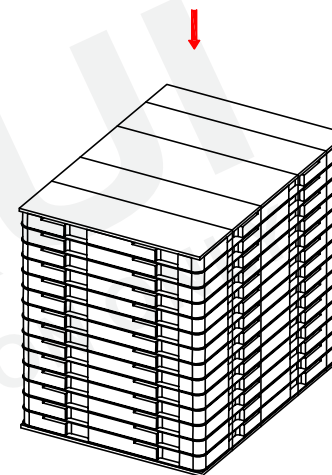
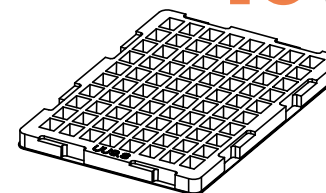
General Properties:

Operating Temperature: -40°C to +125°C
(Temperature rise included).
Storage Temperature: -25°C to +85°C.
Storage Humidity: RH10%~70%.
Weight: ≈4.2g.

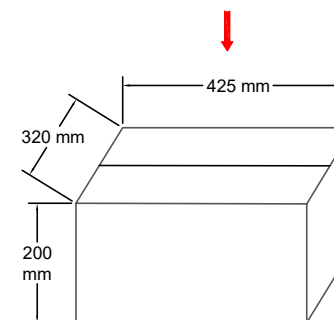
Wave Soldering



Note:
1. Never Contact the ceramic with the iron tip;
2. 1.0mm tip diameter(max).



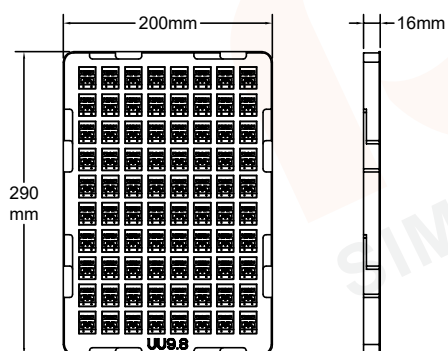
Quantity: 1120pcs/Reel



Outer cases: 2240pcs/box
Insufficient boxes filled with inner boxes or fillers

Packaging Specification:

Blister tray:



1. 80 products are placed on one blister disc, 14 blister discs are fixed together, and a cardboard is placed at the top and bottom respectively.
2. 28 plastic suction cups (2240 pcs) in one box.
3. Blister tray: UU9.8.
Carboard: 295*200*3mm.
Carton: 450*320*200mm.

| | | | | | | | | |
|-----|-------------|------|------|---|---|---|---|---|
| | | | | Tianchang Fuan Electronic Co Ltd www.fuantronics.net TEL: +86-550-7814888 FAX: +86-550-7831133 | Tolerances unless otherwise specified: (X)±0.50 (XX)±0.25 Unit of measurement: mm | Make: Qiumei.Liu Checked: Beson. zhan Approved: Anson. zhan | DRAWING TITLE UU9.8 COMMON-CODE FILTER INDUCTOR Material Number: A24PL098S130 | Customer P/N: Document/Rev: 00 Specification Sheet: 2 of 2 Date of Recognition: Jan./02/2020 |
| REV | DESCRIPTION | APPD | DATE | | | | | |